



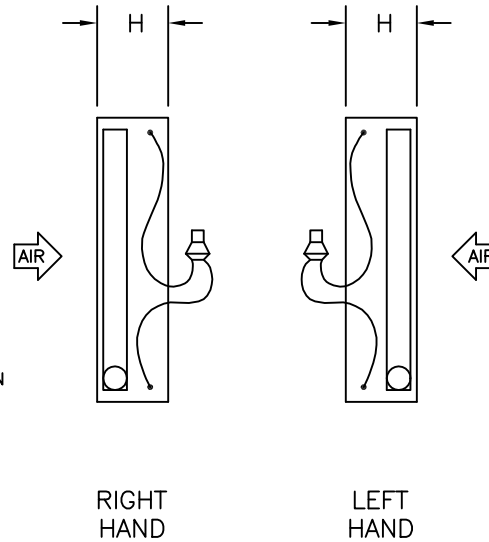
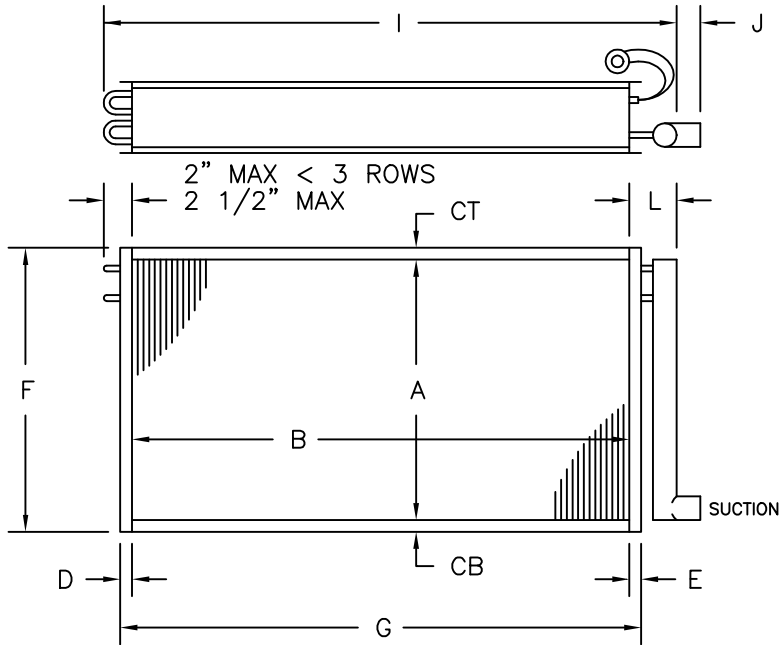
ROWS:  
2, 3, 4, 5,  
6, 8, 10, 12

FINS:  
1/2 - 8 thru 14  
5/8 - 6 thru 14

TUBE WALL		FINS		CASING
1/2 OD	5/8 OD	1/2 OD	5/8 OD	
.017	.020	.006AL	.008AL	16ga GV
	.025		.010AL	
		.006CU	.006CU	16ga SS
			.008CU	
			.010CU	

HEADERS & TUBES - COPPER ONLY

ITEM	SUCTION	CONNECTIONS
1		COPPER
2		SWT
3		
4		



DIMENSIONAL DATA IN INCHES

	QTY	ROWS	FPI	A	B	CT	CB	D	E	F	G	H	I	J	L
1															
2															
3															
4															

MODEL NO.		CUST.			TAG:	
1		REP.			PURCHASE ORDER NO.	
2		APP	PRINTS	DATE	SHOP ORDER NO.	
3		FOR APPROVAL		DRAWING NO.		
4		FOR RECORD		DX1-		
<b>DX COIL</b>						



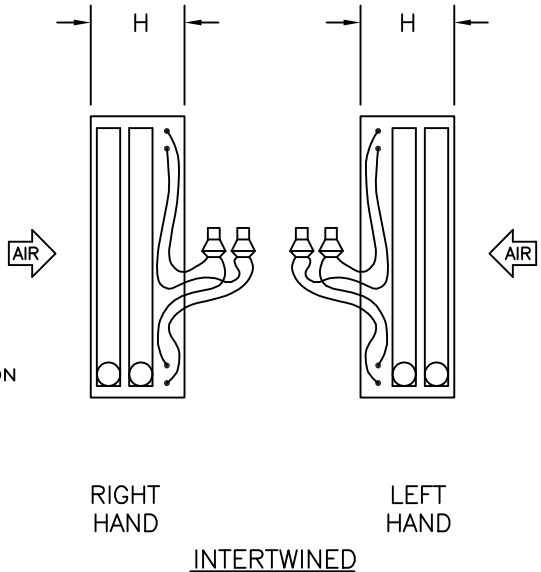
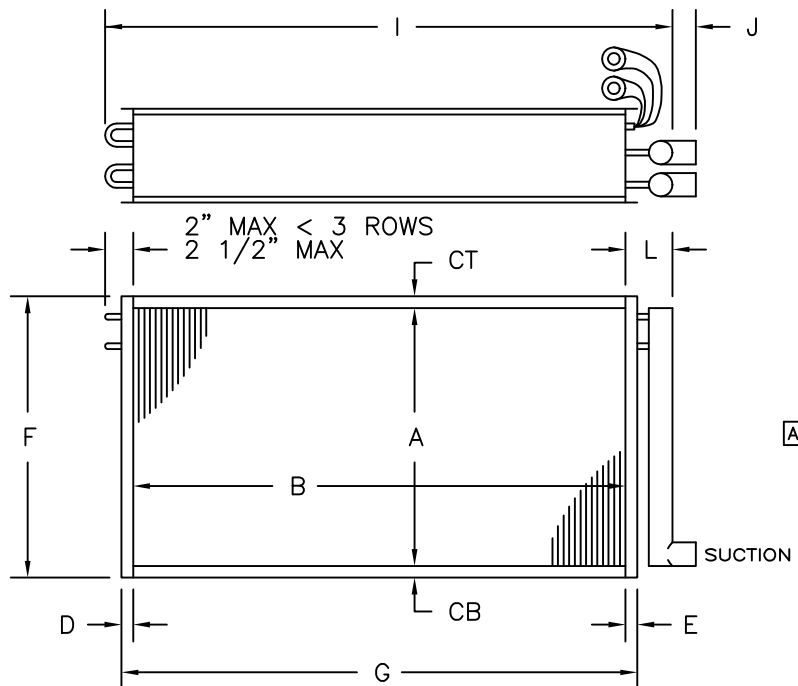
ROWS:  
2, 3, 4, 5,  
6, 8, 10, 12

FINS:  
1/2 - 8 thru 14  
5/8 - 6 thru 14

TUBE WALL		FINS		CASING
1/2 OD	5/8 OD	1/2 OD	5/8 OD	
.017	.020	.006AL	.008AL	16ga GV
	.025	.006CU	.010AL	
		.006CU	.006CU	16ga SS
			.008CU	
			.010CU	

HEADERS & TUBES - COPPER ONLY

ITEM	SUCTION	CONNECTIONS
1		COPPER
2		SWT
3		
4		



DIMENSIONAL DATA IN INCHES

	QTY	ROWS	FPI	A	B	CT	CB	D	E	F	G	H	I	J	L
1															
2															
3															
4															

MODEL NO.				CUST.				TAG:			
1				REP.				PURCHASE ORDER NO.			
2				APP	PRINTS	DATE		SHOP ORDER NO.			
3				FOR APPROVAL		DRAWING NO.		<b>DX COIL</b>			
4				FOR RECORD		<b>DX3-</b>					



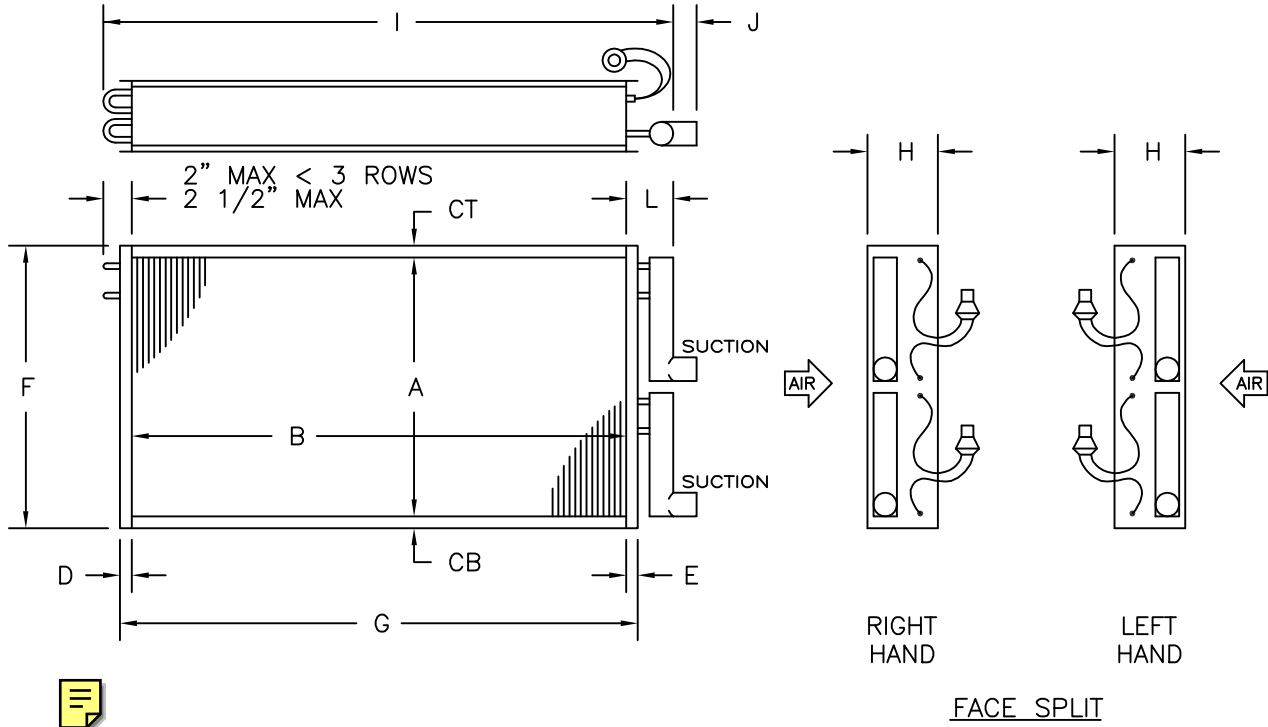
ROWS:  
2, 3, 4, 5,  
6, 8, 10, 12

FINS:  
1/2 - 8 thru 14  
5/8 - 6 thru 14

TUBE WALL		FINS		CASING
1/2 OD	5/8 OD	1/2 OD	5/8 OD	
.017	.020	.006AL	.008AL	16ga GV
	.025	.006CU	.010AL	
		.006CU	.006CU	16ga SS
		.008CU	.010CU	

HEADERS & TUBES - COPPER ONLY

ITEM	SUCTION	CONNECTIONS
1		COPPER
2		SWT
3		
4		



DIMENSIONAL DATA IN INCHES

	QTY	ROWS	FPI	A	B	CT	CB	D	E	F	G	H	I	J	L
1															
2															
3															
4															

MODEL NO.				CUST.				TAG:			
1				REP.				PURCHASE ORDER NO.			
2				APP	PRINTS	DATE		SHOP ORDER NO.			
3				FOR APPROVAL		DRAWING NO.		<b>DX COIL</b>			
4				FOR RECORD		<b>DX2-</b>					



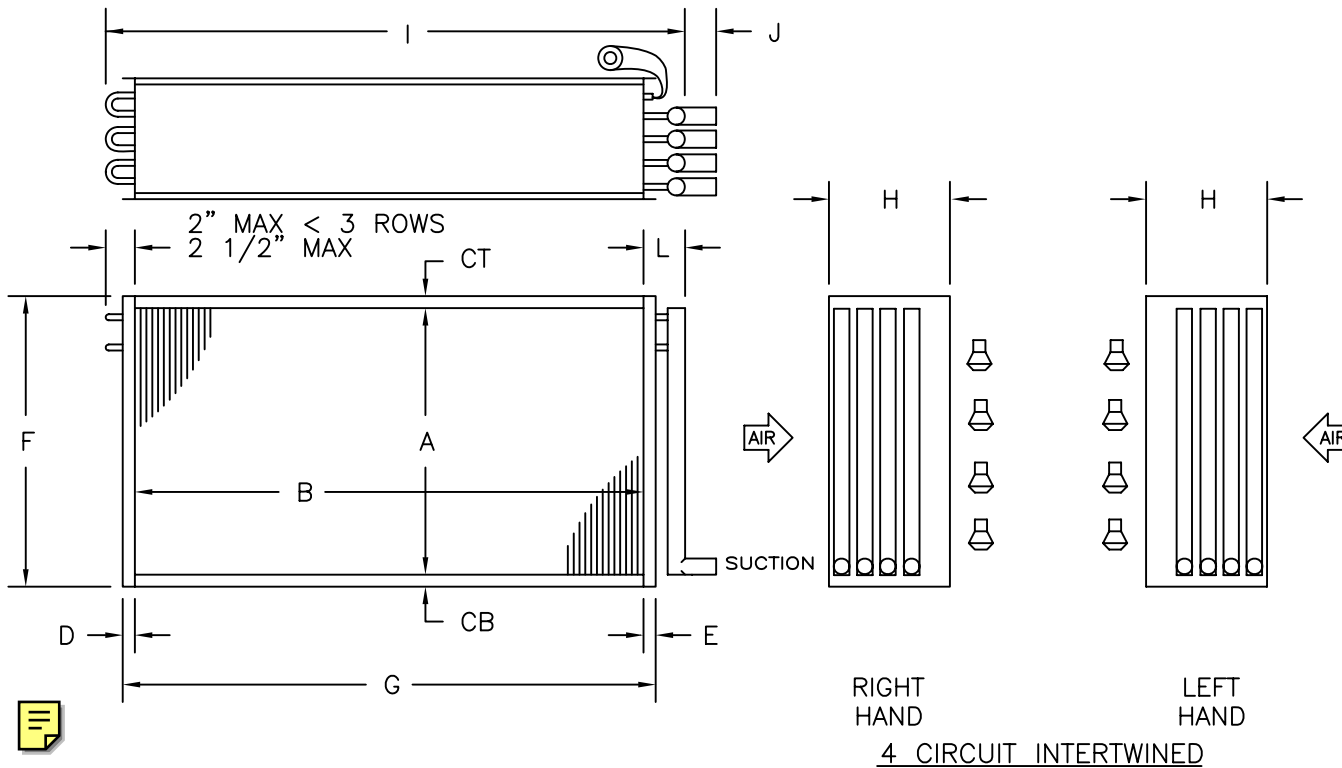
ROWS:  
2, 3, 4, 5,  
6, 8, 10, 12

FINS:  
1/2 - 8 thru 14  
5/8 - 6 thru 14

TUBE WALL		FINS		CASING
1/2 OD	5/8 OD	1/2 OD	5/8 OD	
.017	.020	.006AL	.008AL	16ga GV
	.025		.010AL	
		.006CU	.006CU	16ga SS
			.008CU	
			.010CU	

HEADERS & TUBES - COPPER ONLY

ITEM	SUCTION	CONNECTIONS
1		COPPER
2		SWT
3		
4		



**\* 1-5/8" MAX SUCTION \***

DIMENSIONAL DATA IN INCHES

	QTY	ROWS	FPI	A	B	CT	CB	D	E	F	G	H	I	J	L
1															
2															
3															
4															

MODEL NO.				CUST.				TAG:			
1				REP.				PURCHASE ORDER NO.			
2				APP	PRINTS	DATE		SHOP ORDER NO.			
3				FOR APPROVAL		DRAWING NO.		<b>DX COIL</b>			
4				FOR RECORD		DX7-					



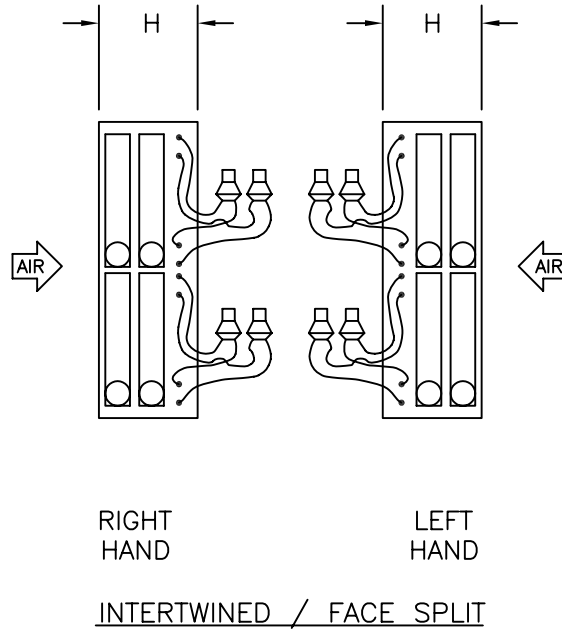
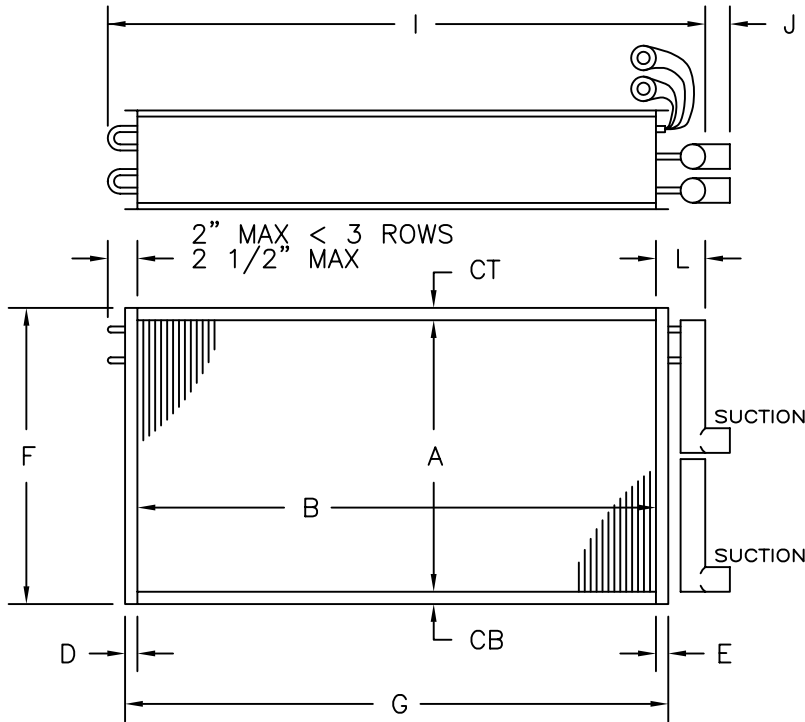
ROWS:  
2, 3, 4, 5  
6, 8, 10, 12

FINS:  
1/2 - 8 thru 14  
5/8 - 6 thru 14

TUBE WALL		FINS		CASING
1/2 OD	5/8 OD	1/2 OD	5/8 OD	
.017	.020	.006AL	.008AL	16ga GV
	.025	.006CU	.010AL	
		.006CU	.008CU	16ga SS
			.010CU	

HEADERS & TUBES - COPPER ONLY

ITEM	SUCTION	CONNECTIONS
1		COPPER
2		SWT
3		
4		



DIMENSIONAL DATA IN INCHES

	QTY	ROWS	FPI	A	B	CT	CB	D	E	F	G	H	I	J	L
1															
2															
3															
4															

MODEL NO.

CUST.

TAG:

1

REP.

PURCHASE ORDER NO.

2

APP

PRINTS

DATE

SHOP ORDER NO.

3

FOR APPROVAL

DRAWING NO.

4

FOR RECORD

DX5-

DX COIL