

ROWS: 1, 2, 3, 4, 5 6, 8, 10, 12	FINS: 1/2 - 8 thru 14 5/8 - 6 thru 14
--	---

TUBE WALL		FINS		CASING
1/2 OD	5/8 OD	1/2 OD	5/8 OD	
.017	.020	.006AL	.008AL	16ga GV
.025	.025	.006CU	.006CU	
	.035	.006CU	.008CU	16ga SS
	.049		.010CU	

HEADERS & TUBES - COPPER ONLY

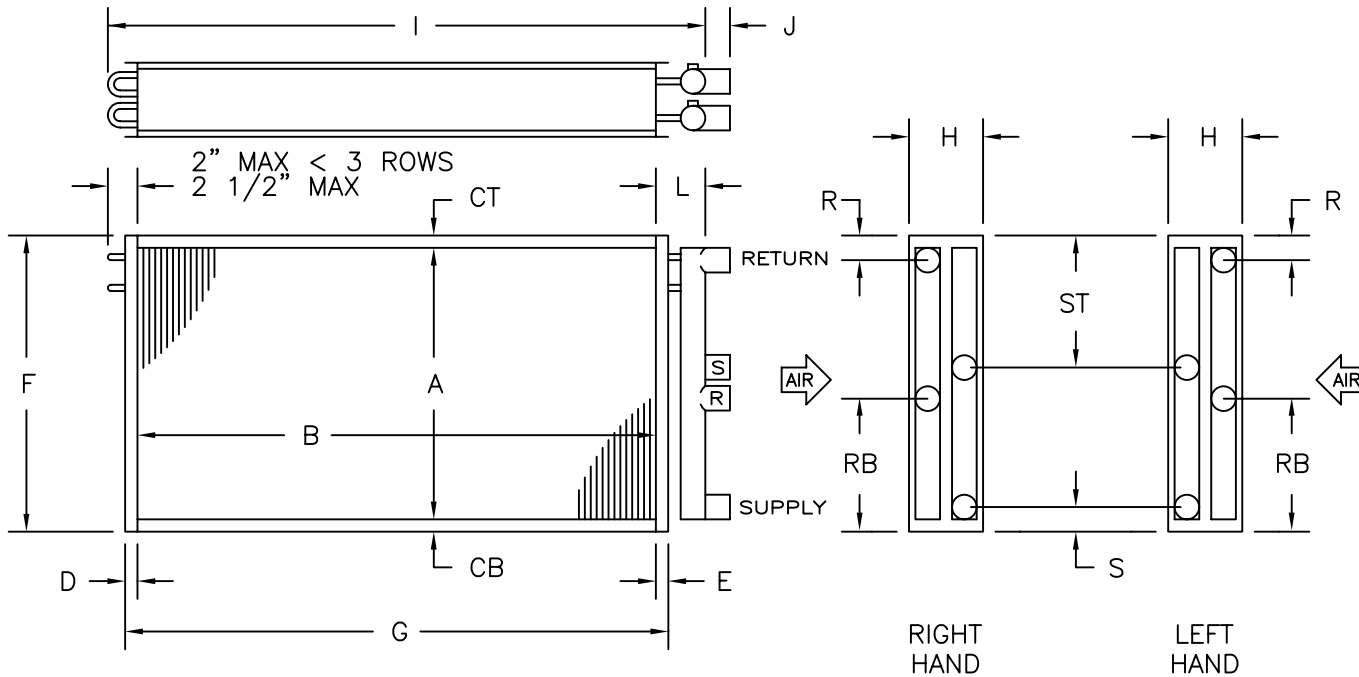
ITEM	SUPPLY	RETURN	CONNECTIONS	
1			RED BRASS	COPPER
2			MPT	MPT
3				FPT
4				SWT

DIMENSIONAL DATA IN INCHES

	QTY	ROWS	FPI	A	B	CT	CB	D	E	F	G	H	I	J	L	S	R
1																	
2																	
3																	
4																	

MODEL NO.				CUST.				TAG:					
1				REP.				PURCHASE ORDER NO.					
2				APP	PRINTS	DATE		SHOP ORDER NO.					
3				FOR APPROVAL		DRAWING NO.			WATER COIL				
4				FOR RECORD		WC2-							



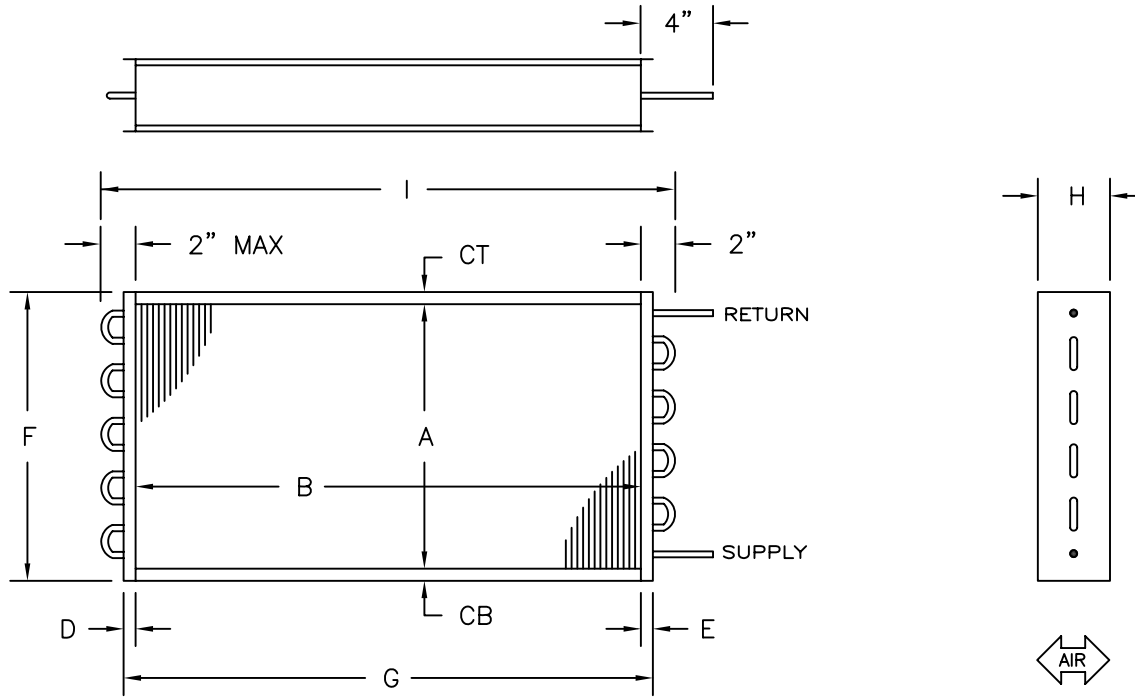


ROWS: 1, 2, 3, 4, 5 6, 8, 10, 12		FINS: 1/2 - 8 thru 14 5/8 - 6 thru 14		
TUBE WALL		FINS		CASING
1/2 OD	5/8 OD	1/2 OD	5/8 OD	
.017	.020	.006AL	.008AL	16ga GV
.025	.025	.006CU	.010AL	
	.035	.006CU	.006CU	16ga SS
	.049	.008CU	.010CU	
HEADERS & TUBES - COPPER ONLY				
ITEM	SUPPLY	RETURN	CONNECTIONS	
1			RED BRASS	COPPER
2			MPT	MPT
3				FPT
4				SWT

DIMENSIONAL DATA IN INCHES

	QTY	ROWS	FPI	A	B	CT	CB	D	E	F	G	H	I	J	L	S	R	ST	RB
1																			
2																			
3																			
4																			

MODEL NO.				CUST.				TAG:			
1				REP.				PURCHASE ORDER NO.			
2				APP	PRINTS	DATE		SHOP ORDER NO.			
3				FOR APPROVAL		DRAWING NO.		WATER COIL			
4				FOR RECORD		WC7-					



ROWS: 1
 FINES:
 1/2 - 8 thru 14
 5/8 - 6 thru 14

TUBE WALL		FINES		CASING
1/2 OD	5/8 OD	1/2 OD	5/8 OD	
.017	.020	.006AL	.008AL	16ga GV
.025	.025		.010AL	
	.035	.006CU	.006CU	16ga SS
	.049		.008CU	
			.010CU	

ITEM	SUPPLY	RETURN	CONNECTIONS
1-4	1/2"	1/2"	MPT/COOPER

DIMENSIONAL DATA IN INCHES

	QTY	ROWS	FPI	A	B	CT	CB	D	E	F	G	H	I
1													
2													
3													
4													

MODEL NO.				CUST.				TAG:			
1				REP.				PURCHASE ORDER NO.			
2				APP	PRINTS	DATE		SHOP ORDER NO.			
3				FOR APPROVAL		DRAWING NO.		WATER COIL			
4				FOR RECORD		WC8-					